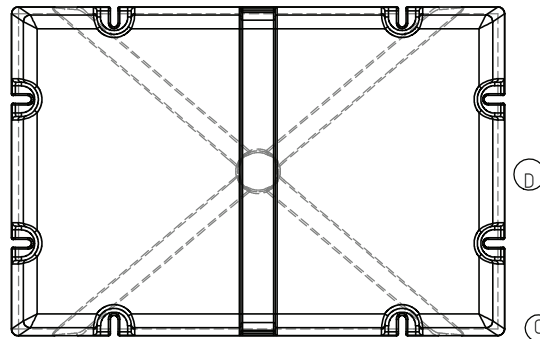
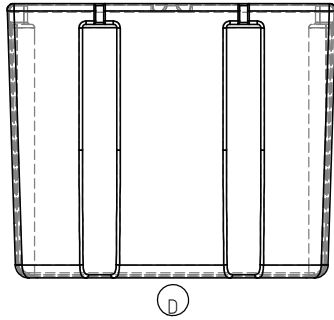
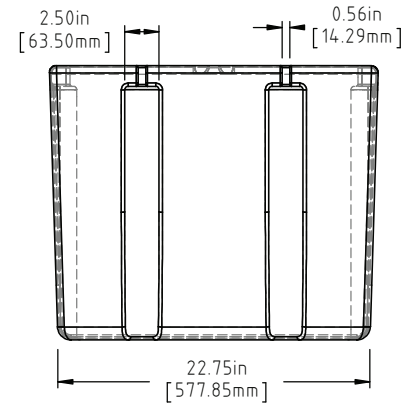
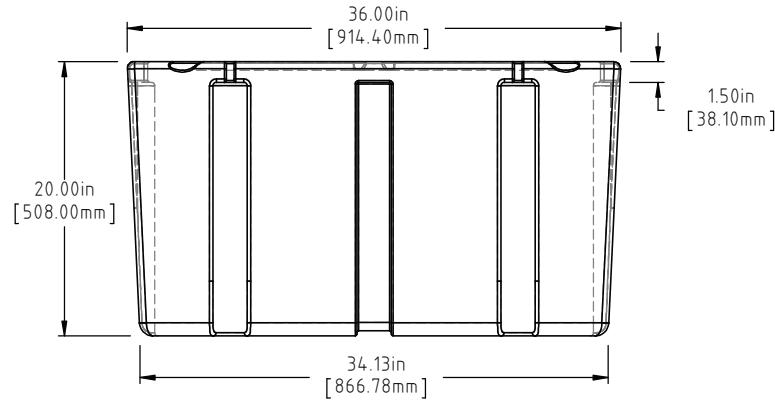
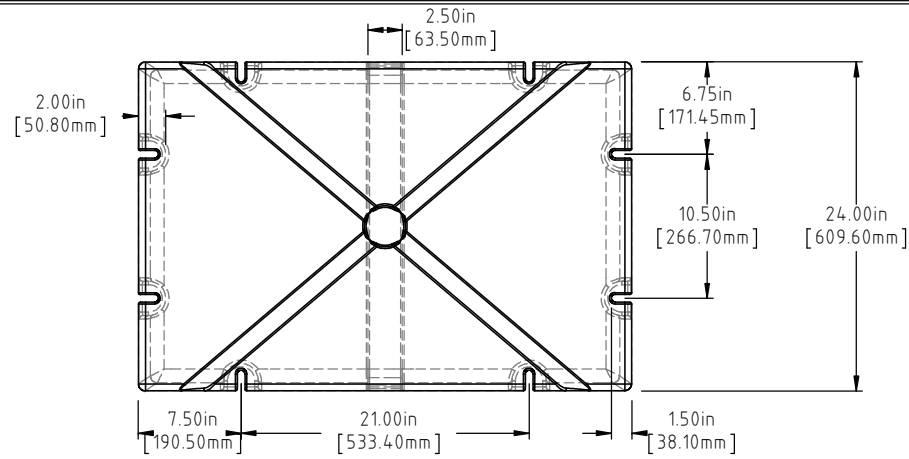


Copyright. All information furnished within this document, electronic file or design correspondence is the property of Den Hartog Industries, Inc. and shall not be used, disclosed to others or copied without the expressed written consent of Den Hartog Industries, Inc.

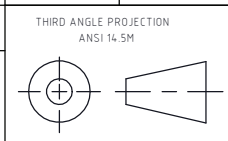


(C) (A) NOTE: BUOYANCY IS 540 LBS.(244.94 KG.)


D	BOTTOM AND SIDE VIEWS ADDED TO PRINT	ADH 12/4/14	2971
C	33 LBS WAS 31 LBS, 540 LBS WAS 538 LBS	ADH 6/19/12	2420
B	METRIC DIMENSIONS ADDED	ADH 6/12/08	1685
A	ADDED BUOYANCY	GWC 1/3/07	
A	CHANGE WEIGHT FF WAS 32	GWC 1/3/07	
1	CHANGE WEIGHT	11/16/94	
REV	DESCRIPTION	BY / DATE	CCN

DRAWN / DATE DEH 10/15/93	MATERIAL POLYETHYLENE
APPRD. / DATE ADH 11/5/07	

ALL DIMENSIONS ARE IN DECIMAL INCHES
TOLERANCES UNLESS OTHERWISE SPECIFIED
POLYETHYLENE
±1% @ 68°F



SHOT WEIGHT: 22 LBS.(9.98 KG.)	NOTES: (A) (C) 1.) AF 22 LBS.(9.98 KG.) 2.) FF 33 LBS.(14.97 KG.) 3.) 0.150in (3.81mm) NOM. WALL
SHIPPING WEIGHT: SEE NOTES	
FINISH:	



Den Hartog

INDUSTRIES, INC.

Ace Roto-Mold Injection Molding Blow Molding Sowjoy

4010 HOSPERS DRIVE S. BOX 425, HOSPERS, IOWA 51238-0425

DESCRIPTION	24 X 36 X 20 FLOAT	
SCALE	N.S.	PART NO. 2436-20