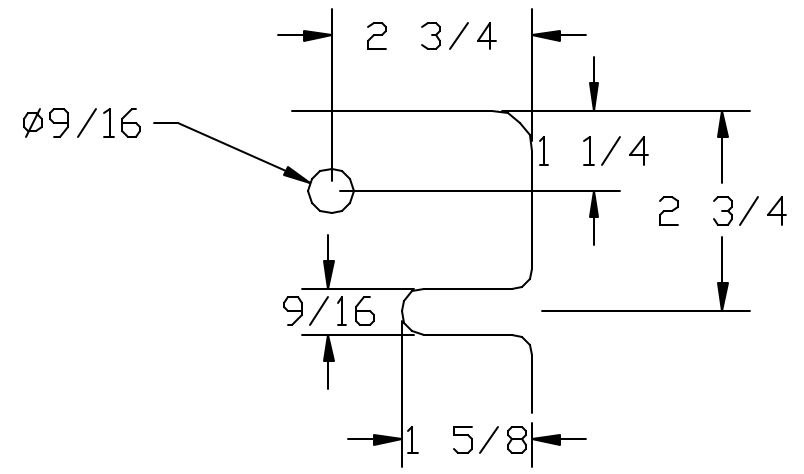
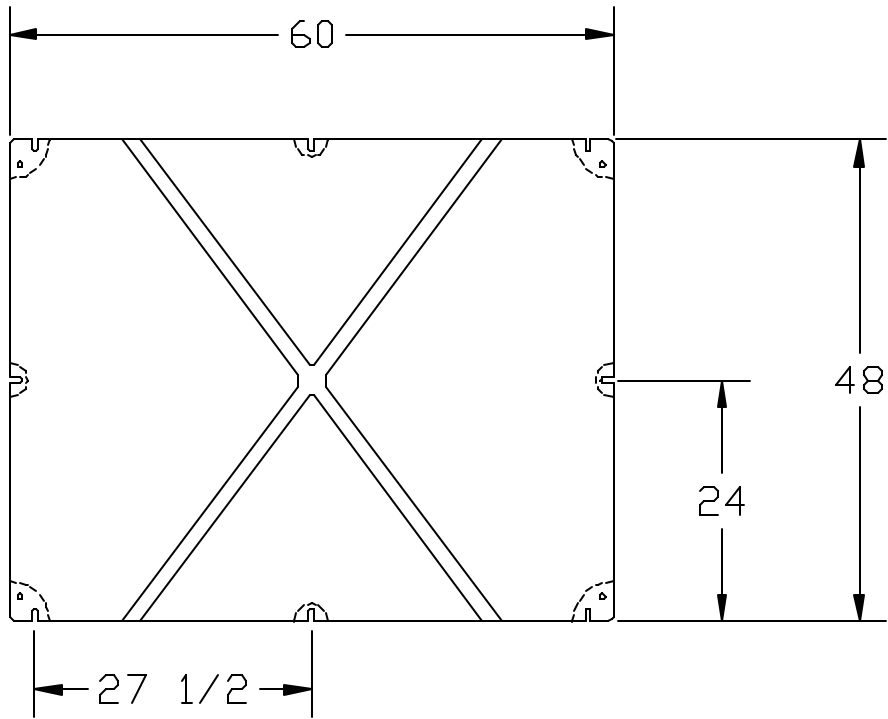


PN# F-4516



CORNER DETAIL

