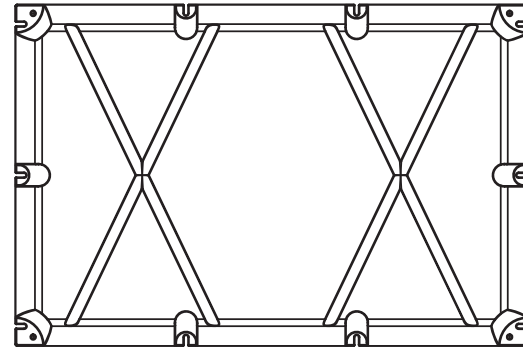
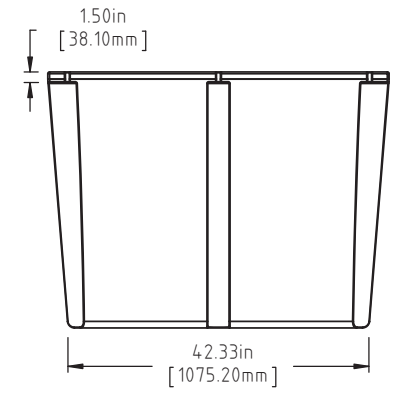
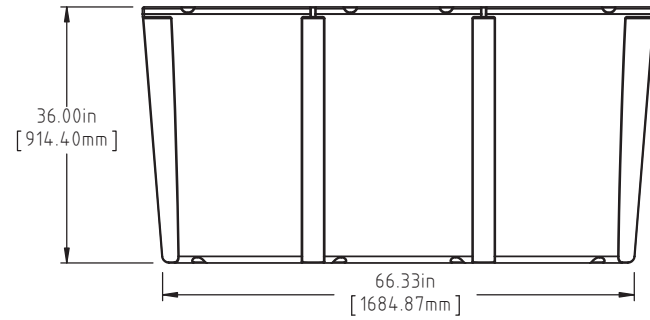
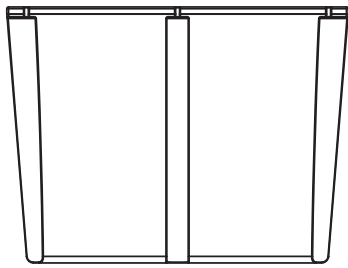
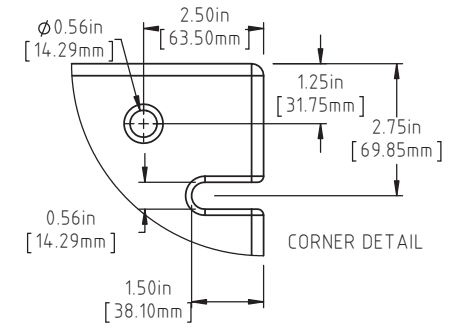
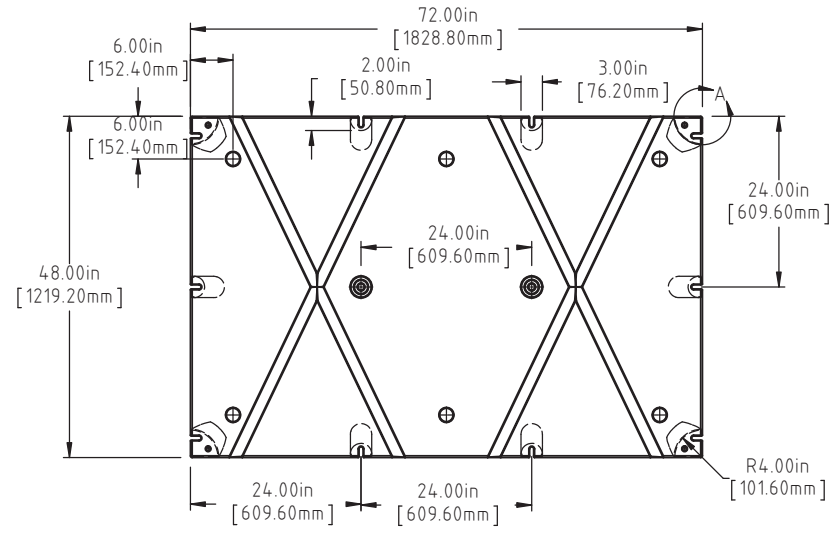


© DEN HARTOG INDUSTRIES, INC.

Copyright. All information furnished within this document, electronic file or design correspondence is the property of Den Hartog Industries, Inc. and shall not be used, disclosed to others or copied without the expressed written consent of Den Hartog Industries, Inc.

4872-36



BUOYANCY = 3800 LBS. ( 1724 KG.)

|   |             |                                      |     |                                  |   |
|---|-------------|--------------------------------------|-----|----------------------------------|---|
| REV   | DESCRIPTION | BY / DATE                            | CCN | DRAWN / DATE<br>ADH 7/22/15      | MATERIAL<br>POLYETHYLENE  |
|   |             |                                      |     | APPRD. / DATE<br>REH 8/4/15      |   |
|   |             |                                      |     | SHOT WEIGHT:<br>103 LBS. (47 KG) | NOTES:<br>1.) AF 103 LBS (47 KG)<br>2.) FF 166 LBS (75 KG)<br>3.) .150IN (4.45mm) NOM. WALL |
|   |             |                                      |     | SHIPPING WEIGHT:<br>SEE NOTES    |   |
|   |             |                                      |     | FINISH:                          |   |
| ALL DIMENSIONS ARE IN DECIMAL INCHES<br>TOLERANCES UNLESS OTHERWISE SPECIFIED<br>POLYETHYLENE |             | THIRD ANGLE PROJECTION<br>ANSI 14.5M |     |                                  |   |
| ±1% @ 68°F  |             |                                      |     |                                  |   |
| METAL<br>DECIMAL ± .125"<br>FRACTION ± 1/4"<br>ANGLE ± 1°                                     |             |                                      |     |                                  |   |



**Den Hartog**  
INDUSTRIES, INC.

Ace Roto-Mold Injection Molding Blow Molding Sowjoy

4010 HOSPERS DRIVE S. BOX 425, HOSPERS, IOWA 51238-0425

|             |                    |                  |
|-------------|--------------------|------------------|
| DESCRIPTION | 48 X 72 X 36 FLOAT |                  |
| SCALE       | N.S.               | PART NO. 4872-36 |